

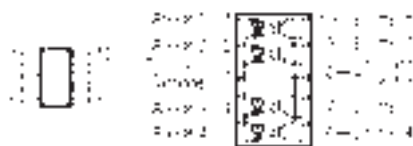
Optocouplers - continued

Surface Mount Optocouplers - Transistor, Darlington, SCR - continued

Schmitt Trigger & High Speed Logic Gate Outputs - continued

Mftrs. List No.	Order Code	Price Each				
		5+	25+	100+	250+	+
Transistor Output						
4N25.300	102-1149	26.00	23.00	19.00	14.00	--
4N25.S	102-1150	24.00	20.00	17.00	11.00	--
4N25S-M	102-1152	25.00	22.00	18.00	12.00	--
4N25SR2V-M	102-1153	26.00	20.00	15.00	10.00	--
4N26.300	102-1154	28.00	25.00	19.00	12.00	--
4N26.S	102-1155	24.00	20.00	17.00	11.00	--
4N26SR2-M	102-1156	26.00	20.00	15.00	10.00	--
4N27.3S	102-1159	24.00	20.00	17.00	11.00	--
4N27.S	102-1160	24.00	20.00	17.00	11.00	--
4N35.3S	102-1174	24.00	20.00	17.00	11.00	--
4N35.S	102-1176	25.00	21.00	17.00	11.00	--
4N35F-M	102-1177	26.00	22.00	19.00	11.00	--
4N35FR2V-M	102-1178	27.00	24.00	19.00	11.00	--
4N35S-M	102-1179	28.00	25.00	19.00	12.00	--
4N36S-M	102-1181	28.00	25.00	19.00	12.00	--
4N37.S	102-1183	24.00	20.00	17.00	11.00	--
4N37SR2V-M	102-1184	22.00	19.00	16.00	10.00	--
4N38.S	102-1190	46.00	40.00	32.00	20.00	--
6N136.S	102-1196	71.00	61.00	50.00	34.00	--
CNY17-1.3S	102-1202	30.00	22.00	17.00	11.00	--
CNY17-1.S	102-1203	28.00	22.00	19.00	12.00	--
CNY17-2.3S	102-1207	30.00	22.00	17.00	11.00	--
CNY17-2FR2V-M	102-1208	26.00	24.00	19.00	12.00	--
CNY17-3.3S	102-1212	30.00	22.00	17.00	11.00	--
CNY17-3FR2V-M	102-1213	26.00	24.00	19.00	12.00	--
CNY17-3S-M	102-1214	29.00	24.00	21.00	12.00	--
CNY17-3SR2V-M	102-1215	26.00	20.00	15.00	10.00	--
CNY17-4.3S	102-1219	30.00	22.00	17.00	11.00	--
H11D1.S	102-1225	56.00	48.00	41.00	24.00	--
HCPL-2531.S	102-1248	177.00	153.00	126.00	74.00	--
Darlington Output						
4N29.S	102-1164	28.00	25.00	19.00	12.00	--
4N32.3S	102-1168	24.00	20.00	17.00	11.00	--
4N32.S	102-1169	24.00	20.00	17.00	11.00	--
4N33.3S	102-1171	28.00	25.00	19.00	12.00	--
4N33.S	102-1172	28.00	25.00	19.00	12.00	--
6N139.S	102-1200	45.00	37.00	29.00	21.00	--
HCPL-2731S	102-1259	177.00	153.00	126.00	77.00	--
SCR Output						
4N40.3S	102-1194	60.00	49.00	39.00	27.00	--
H11C6.S	102-1223	60.00	50.00	39.00	27.00	--
Schmitt Trigger Output						
H11L1S-M	102-1226	53.00	44.00	34.00	24.00	--
H11L1SR2V-M	102-1227	54.00	45.00	35.00	24.00	--
H11L3SR2V-M	102-1234	72.00	60.00	48.00	27.00	--
H11N1SR2V-M	102-1237	185.00	158.00	126.00	75.00	--
H11N3SR2V-M	102-1243	188.00	157.00	125.00	71.00	--
High Speed Logic Gate Output						
6N137.S	102-1198	92.00	77.00	62.00	37.00	--
HCPL-2601.S	102-1250	76.00	62.00	49.00	34.00	--
HCPL-2630.S	102-1253	131.00	103.00	76.00	66.00	--
HCPL-2631.S	102-1256	238.00	198.00	162.00	96.00	--

Surface Mount, Quad Channel



VISHAY



A quad channel optocoupler in an industry standard SOT223 package which results in a remarkable optocoupler channel to PCB area ratio (5.7mm² per channel). Pin count is reduced by the use of common anode inputs and common collector outputs.

Isolation Voltage	Curr Trsfr Ration % (min-max.)	Breakdown V _(BR) CEO (min)	Mftrs. List No.	Order Code
2500	160 - 320 @ I _F =1mA	70	SFH6943-4T	104-5530

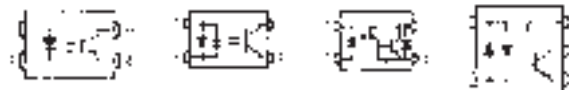
206462

Order Code	Price Each				
	1+	25+	100+	250+	+
104-5530	283.00	252.00	210.00	170.00	--

Mini Flat — Surface Mount

Transistor Output, Darlington Transistor Output

TOSHIBA



Part No.	Pin 1	Pin 2	Pin 3	Pin 4	Pin 5	Pin 6	Pin 7	Pin 8
TLP181	1 Anode	3 Cathode	4 Emitter	6 Collector				
TLP120, TLP126	1 Anode, Cathode	3 Cathode, Anode	4 Emitter	6 Collector				
TLP127	1 Anode	3 Cathode	4 Emitter	6 Collector				
TLP130	1 Anode, Cathode	3 Cathode, Anode	4 Emitter	6 Collector	5 Emitter	6 Collector		6 Base

Isolation Voltage (pk) (AC RMS)	Curr. Trsfr Ratio (min.) @ I _F	Breakdown V _(BR) CEO min	Mftrs. List No.	Order Code
3750	100% @ 5mA	80V	TLP181(F,T)	114-1129
V	100% @ ±1mA	80V	TLP126(F)	114-1128
V	100% @ ±5mA	80V	TLP180(F,T)	120-1936
2500	1000% @ 1mA	300V	TLP127(U,F)	120-1937



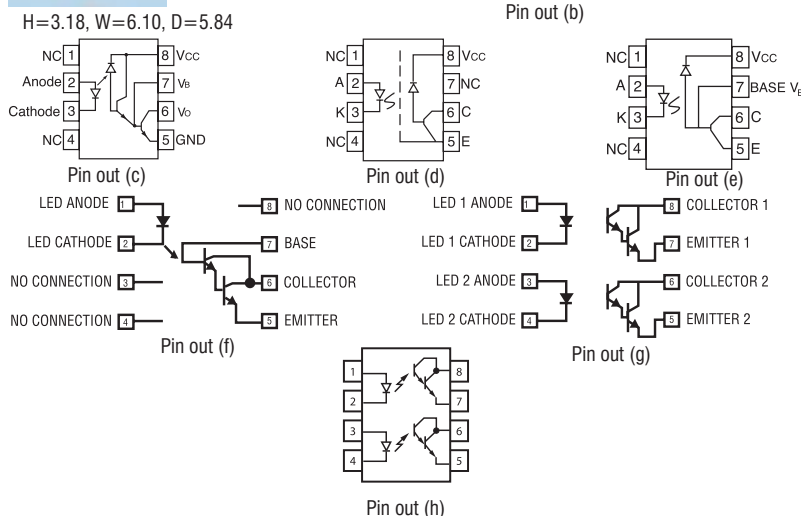
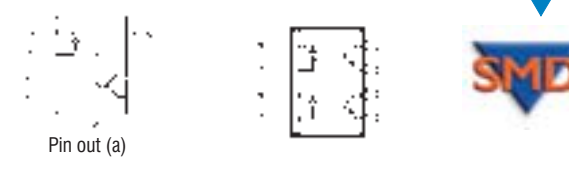
206416

Order Code	Price Each				
	1+	25+	100+	250+	+
114-1129	28.00	26.00	24.00	20.00	--
114-1128	59.00	50.00	48.00	43.00	--
120-1936	66.00	62.00	55.00	35.00	--
120-1937	56.00	47.00	44.00	39.00	--

Surface Mount

FAIRCHILD SEMICONDUCTOR

VISHAY



Channels	Pin Out	Isolation ac Test Voltage (V _{rms})	Curr. Trsfr. Ratio (min) @ I _F (mA)	Switching Time (μs) t _{on} t _{off}	typ.	Mftr	Mftrs. List No.
High CTR							
Single	a	3000	63	10	3	2.8	FAIRCHILD MOC206-M
Single	a	3000	20	10	7.5	5.7	FAIRCHILD MOC211-M
Dual	b	3000	100	1	7.5	5.7	FAIRCHILD MOC217-M
Single	a	2500	63	10	3	3	VISHAY IL206AT
Single	a	2500	100	10	3	3	VISHAY IL213AT
Single	c	2500	500	1.6	4	4	VISHAY SFH6319T
Single	-	5000	100-200	10	3.5	5	VISHAY SFH6186-3T
Single		2500	-	-	3	3	VISHAY IL206AT
Single		2500	-	-	3	3	VISHAY IL213AT
Single		2500	-	-	5	4	VISHAY ILD206T
Single		2500	-	-	5	4	VISHAY ILD213T
Single		5000	100-200	10	3.5	5	VISHAY SFH6186-3T
Single		2500	-	-	0.25	0.5	VISHAY SFH6316T
Single		2500	-	-	4	4	VISHAY SFH6319T
Single		2500	-	-	0.5	0.5	VISHAY SFH6343T
Dual	b	3000	100	10	3	2.8	FAIRCHILD MOC207-M
Dual	b	2500	63	10	5	4	VISHAY ILD206T
Dual	b	2500	100	10	5	4	VISHAY ILD213T
Dual	b	3000	63	10	3	2.8	FAIRCHILD MOC206-M
Dual	b	3000	20	10	7.5	5.7	FAIRCHILD MOC211-M
High Speed							
		3000	100	10	3	2.8	FAIRCHILD MOC207-M
		2500	100	10	1.6	2.2	FAIRCHILD MOC207R2M
Single	e	2500	19	16	0.25	0.5	VISHAY SFH6316T
Single	d	2500	15	16	0.5	0.5	VISHAY SFH6343T
Darlington Output							
Single	f	3000	500	1	3.5	95	FAIRCHILD MOC223-M
Dual	g	3000	500	1	3.5	95	FAIRCHILD MOC223-M
Dual	g	3000	500	1	3.5	95	FAIRCHILD MOC223-M
Dual	h	3000	500	1	3.5	95	FAIRCHILD MOC223-M

206299